

AOK 20B SERIES

AUTOMATIC MECHANICAL CONDENSATE DRAIN



TECHNICAL DATA	AOK 20B
Operating temperature range	1,5 - 65 °C (35-149 °F)
Operating pressure	20 bar (290 psi)
Mass	0,6 kg
Discharge capacity (at 7 bar/101 psi)	167 l/h
Inlet connection	G 1/2" (NPT option)
Outlet connection	G 1/2" (NPT option)
Dimensions A × B × C	135 × 110 × 130 mm
Medium	Condensate (air, water, oil)

RECOMMENDATIONS

Install ball valve between pressure vessel and inlet connection.
 Install strainer element between pressure vessel and inlet connection.
 Install nipple with venting tube to avoid generating of air bubbles.
 Nipple is screwed in inlet connection.

20 bar
operating pressure

167 l/h
drain capacity

1/2"
connections

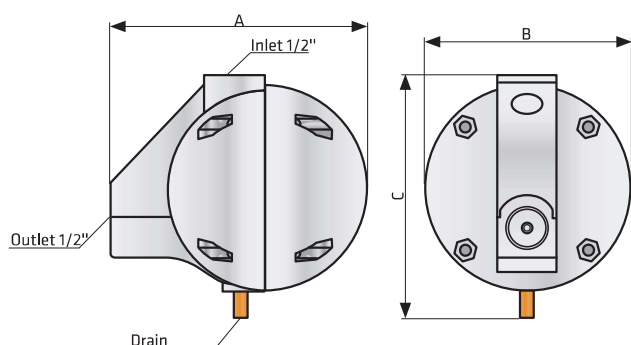
1,5 to 65°C
operating temperature range

DESCRIPTION

AOK20 has been developed for fully automatic discharging of condensate or any other non-aggressive fluid from compressed air system. For any other technical gas please contact producer or your local distributor.

The unit can be installed as external drain on any application specified. Condensate accumulates in the aluminium reservoir and when the level is high enough condensate is discharged from the system without any air losses. Direct acting valve is operated by precise level controlled floater which assures reliable and efficient operation. Thanks to robust aluminium housing AOK20 is suitable for heavy duty applications. AOK20 is also equipped with separate manual drain for venting.

AOK20 can be used in variety of applications. For applications not listed please contact producer or your local distributor



APPLICATIONS

- Air compressor (piston or screw)
- After-cooler
- Cyclone condensate separator
- Pressure vessel/Air tank
- Air dryer
- Air filter