

MCD SERIES

MANUAL CONDENSATE DRAIN



FLOTECH

Compressor & Vacuum Parts Ltd



20 bar
operating pressure

1/2"
connections

1,5 to 65°C
operating temperature range

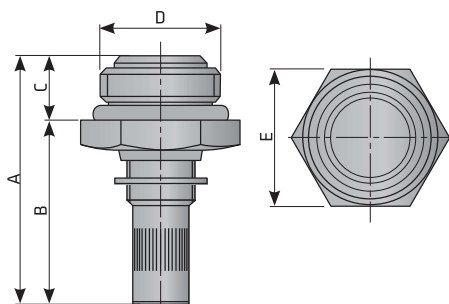
DESCRIPTION

MCD is designed for the discharging of condensate or any other non aggressive fluid from compressed air system. For any other technical gas please contact producer or your local distributor.

In order to prevent condensate from re-entering in the airstream we recommend controlling the condensate level in filter bowl, which requires an automatic drain trap.

MCD is easy to install on the filter housing. MCD can be used in variety of applications.

TECHNICAL DATA	MCD	MCDi
Operating temp. range	1,5 - 65 °C (35-149 °F)	1,5 - 65 °C (35-149 °F)
Operating pressure	0-20 bar (290 psi)	0-20 bar (290 psi)
Mass	0,06 kg	0,06 kg
Connection	G 1/2"	G 1/2"
Dimensions	A	38,2 mm
	B	29,2 mm
	C	9 mm
	D	G1/2"
	E	24,0 mm
Medium	Condensate (air, water, oil)	Condensate (air, water, oil)
Material	brass	stainless steel



APPLICATIONS

- Air filter