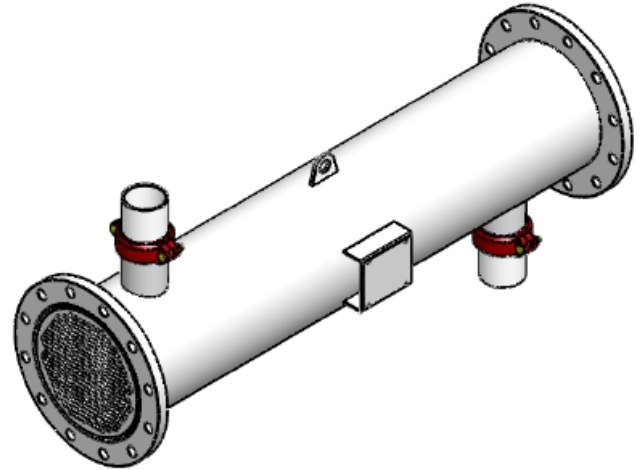


WATER-COOLED AFTERCOOLER ACWFC

DESCRIPTION

Water-cooled aftercoolers series ACWFC have been designed, to reduce compressed air temperature thus water vapour content in compressed air system. Hot compressed air/gas passes through the tubes. Cooling water passes around the tubes in counter flow. ACWFC aftercooler ensures the maximum performance and protection of all equipment, such refrigeration dryers, adsorption dryers and filters, positioned downstream of this unit.



APPLICATIONS⁽¹⁾

- Automotive
- Electronics
- Food & Beverage
- Chemical
- Petrochemical
- Plastics
- Paint
- General industrial application

⁽¹⁾AKW aftercoolers can be used in variety of applications. For applications not listed please contact us or your local dealer.

TECHNICAL SPECIFICATION

Operating temperature	1,5-200 °C	35-392 °F
Operating pressure	0 – 16 (10) bar(g)	0 – 232 (145) psi

MATERIALS

Shell material	Carbon steel
Tubes	Stainless steel
Outside protection	Powder paint coated (Epoxy-polyester base)



FLOTECH

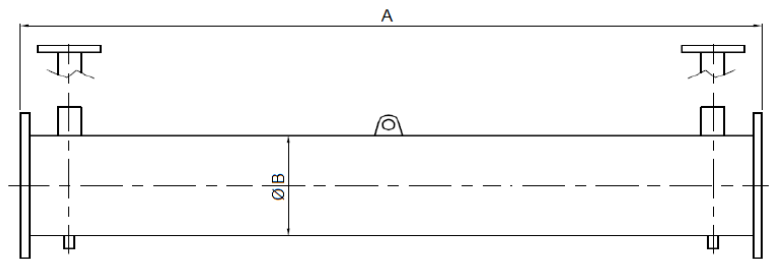
Compressor & Vacuum Parts Ltd

PRODUCT DATA SHEET

SIZES

MODEL	CONNECTIONS [DN]		FLOW CAPACITY ²⁾		OPERATING PRESSURE [bar]	DIMENSIONS [mm]	
	Air	Water	[Nm ³ /h]	[scfm]		A	B
ACWFC 010 F	DN 50	DN 20	132	78	0-16	806	60,3
ACWFC 018 F	DN 50	DN 20	235	138	0-16	816	60,3
ACWFC 030 F	DN 50	DN 20	367	216	0-16	816	60,3
ACWFC 047 F	DN 50	DN 20	661	389	0-16	870	60,3
ACWFC 070 F	DN 50	DN 20	955	562	0-16	870	60,3
ACWFC 094 F	DN 80	DN 20	1323	779	0-16	1500	88,9
ACWFC 150 F	DN 80	DN 20	2205	1298	0-16	1510	88,9
ACWFC 240 F	DN 125	DN 32	3087	1817	0-16	1300	139,7
ACWFC 300 F	DN 125	DN 32	3969	2336	0-16	1300	139,7
ACWFC 450 F	DN 200	DN 50	7056	4153	0-16	1300	219
ACWFC 600 F	DN 200	DN 65	8967	5278	0-16	1300	219
ACWFC 900 F	DN 250	DN 80	11025	6489	0-10	1300	273
ACWFC 1200 F	DN 300	DN 80	16170	9517	0-10	1300	323,9
ACWFC 1500 F	DN 400	DN 100	22050	12978	0-10	1300	406
ACWFC 1800 F	DN 400	DN 150	26460	15574	0-10	1300	406
ACWFC 2500 F	DN 450	DN 200	33810	19900	0-10	1300	457
ACWFC 3000 F	DN 500	DN 200	45570	26821	0-10	1300	508

²⁾ Refers to 1 bar and 20°C at 7 bar operating pressure and inlet temperature 120°C



INFORMATION IN THIS DOCUMENT IS SUBJECT TO CHANGE WITHOUT NOTICE

	<p>Our quality management system is certified by BUREAU VERITAS in conformity with ISO 9001:2008 Reg. number: 200285</p>	
--	--	--